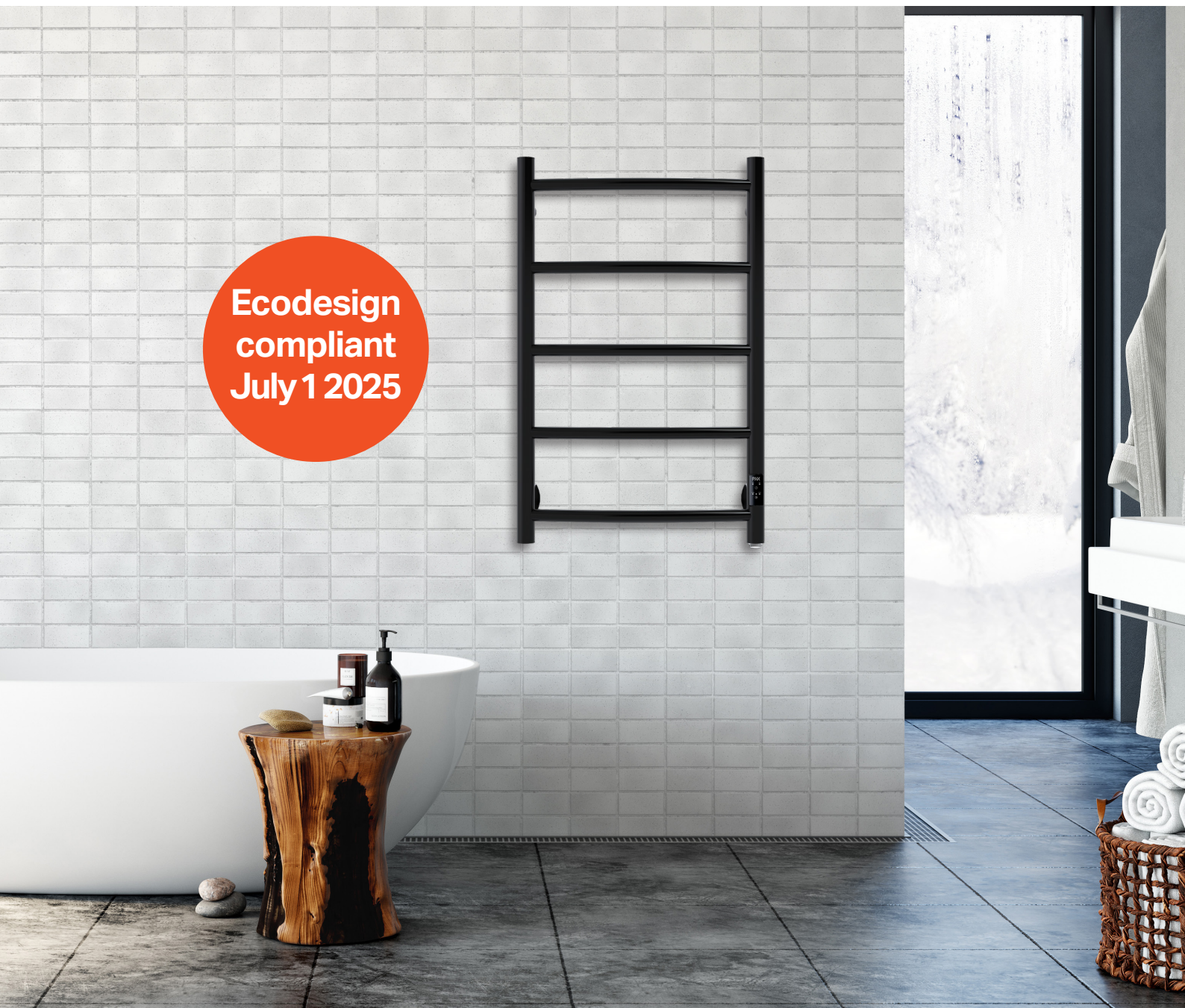


**PAX**<sup>®</sup>

# Pax Duo

Towel warmers with Duo  
provide unmatched flexibility.  
The ideal solution for any project.

**Ecodesign  
compliant  
July 1 2025**





# Pax Duo

– Style, function and safety.

Pax Duo is a series of electric towel warmers that combine elegant design with innovative technology, making your everyday life both comfortable and energy-efficient.

With flexible installation options and easy control, Pax Duo is the obvious choice for both private homes and larger projects.

### Timeless design in four step-models

Choose the model that suits your style – all made from durable, stainless steel.

For a classic look, there is a polished finish, while the painted matte black surface provides a modern and exclusive feel.

### User-friendly timer settings

With intuitive button presses, you can easily control how long you want the towel warmer to heat and dry your towels:

- One-time timer: 3 or 6 hours
- Repeating timer: 3 or 6 hours per day

### Adjustable power for optimal energy efficiency

In addition to timer settings, you can also adjust the power to 75% or 50% of the nominal power – a smart feature for both energy savings and comfort.

### Flexible electrical connection

The name Duo reflects the option to choose the electrical connection on either the right or left side, simplifying installation – especially for larger projects.

### Security and quality in focus

All Pax towel warmers are CE-marked and S-marked. This means they meet high safety and reliability standards.

### Future-proof and energy-efficient

The Pax Duo series meets the new Eco-design requirements (2024/1103) for electric towel warmers, which come into effect on July 1, 2025. An investment in the sustainable technology of the future!

### This is what you get with Pax Duo:

1. Four models in timeless design
2. Stainless steel, polished or matte black
3. Optional electrical connection on the right or left side
4. Timer and power regulation
5. Integrated all-pole switch
6. Towel warmers that meet the new Eco-design requirements, starting July 1, 2025
7. S-marked – independently certified by Intertek Semko AB



Optional electrical connection right or left



Timer and power regulation



Polished or matte black

## Salsa Duo



6-step model with round curved tubes. A functional classic with a modern twist.

- Width 540 mm, Height 700 mm
- Output 55 W
- ⏰ 3h / 6h
- ⚡ 75% / 50%

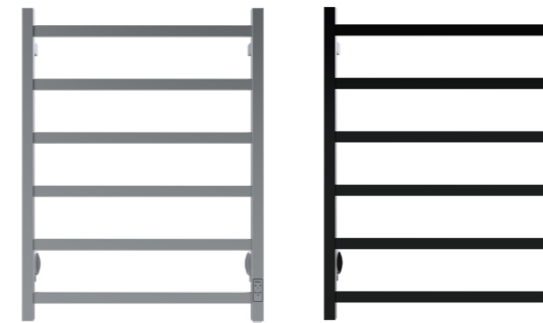
## Samba Duo



A narrow model with 5-steps and round curved tubes. A timeless design.

- Width 450 mm, Height 700 mm
- Output 40 W
- ⏰ 3h / 6h
- ⚡ 75% / 50%

## Tango Duo



6-step model with square tubes. Classic, sleek design.

- Width 540 mm, Height 700 mm
- Output 50 W
- ⏰ 3h / 6h
- ⚡ 75% / 50%

## Foxtrot Duo

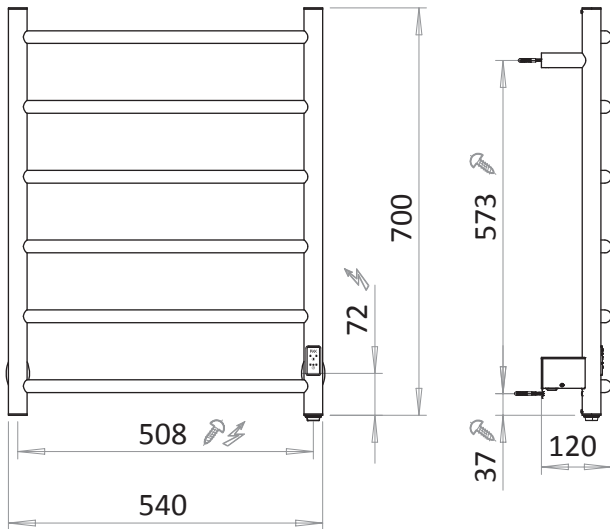


The largest model with slightly higher power. 8-step and round curved tubes.

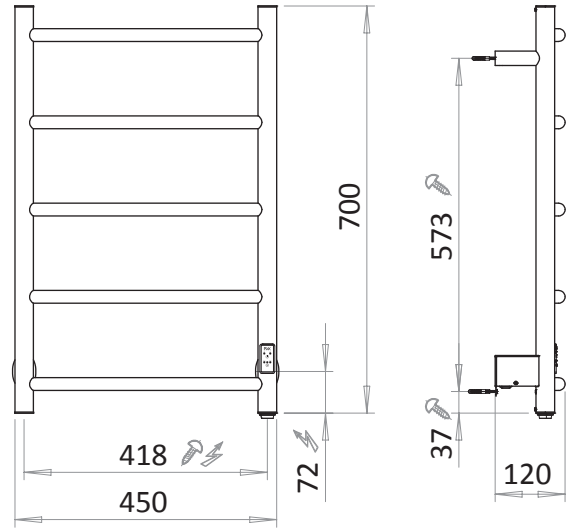
- Width 540 mm, Height 815 mm
- Output 80 W
- ⏰ 3h / 6h / continuous
- ⚡ 75% / 50%

Art. no.	Model	Material	Finish	Output	Width, mm	Height, mm
3711-1	Salsa Duo 540x700	Stainless steel	Polished	55 W	540	700
3712-1	Salsa Duo 540x700, black	Stainless steel	Matte black	55W	540	700
3711-2	Samba Duo 450x700	Stainless steel	Polished	40W	450	700
3712-2	Samba Duo 450x700, black	Stainless steel	Matte black	40W	450	700
3711-3	Tango Duo 540x700	Stainless steel	Polished	50W	540	700
3712-3	Tango Duo 540x700, black	Stainless steel	Matte black	50W	540	700
3711-4	Foxtrot Duo 540x815	Stainless steel	Polished	80W	540	815
3712-4	Foxtrot Duo 540x815, black	Stainless steel	Matte black	80W	540	815

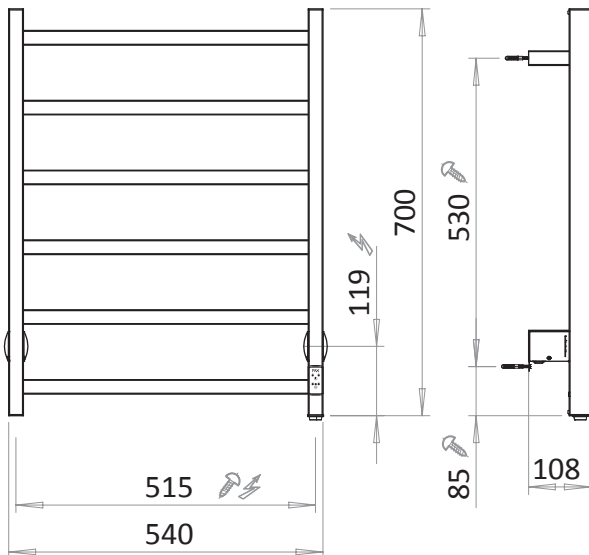
## Salsa Duo 540x700



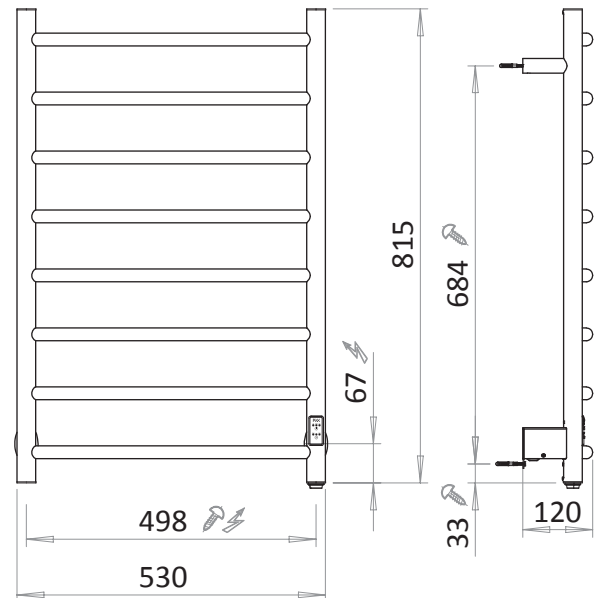
## Samba Duo 450x700



## Tango Duo 540x700



## Foxtrot Duo 530x815



Stated dimensions are approximate. Always measure the actual product before drilling.  
Pax assumes no liability for incorrect installation resulting from failure to follow the installation instructions

